

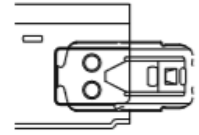
GT Ultimate Grid Data Sheet

Product Description:

Trumark's GT Ultimate Grid is an innovative exposed grid ceiling system which is fast to install, high strength and fully demountable. The high-performance stainless-steel connection tabs on GT Ultimate Grid have been designed to ensure quick yet strong connection into each profile making installation fast and seamless. The quick release tab design allows profiles to be easily demounted and reinstalled with no damage. The double stitching performed along the full length of each profile, provides increased stability and higher torsion resistance.

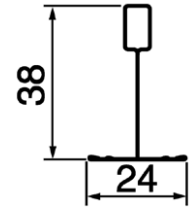
Hook Material:	Runner made up of stainless steel 0.4mm thick
Structure Material:	Main Tee: Galvanised steel DX51D-Z100 0.35mm thick. Cross Tee: Galvanised steel DX51D-Z100 0.30mm thick.
Covering Material:	White prepainted steel 0.30mm thick.
Section Connection:	Main Tee: Head to head hook connection. Cross Tee: Stainless steel quick release hook tab.
Finishing:	High performance anti-corrosion white paint finish to face of profile.
Features:	<ul style="list-style-type: none">• Quick release tab system for super fast demountability.• Audible quality 'click' with connection.• Double stitched Main & Cross Tees for superior strength and stability.• Fire rated.• Clean bright white colour.• High torsion/twist resistance.• European Made.

Stainless Steel Tab



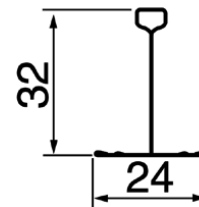
Main Tee

3700mm



Cross Tee

1200mm | 600mm

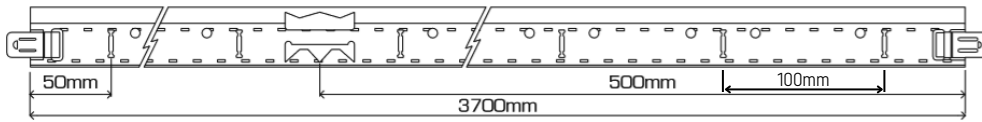


Certification

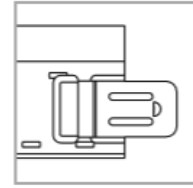
Reaction To Fire:	The systems complies with EN13964:2014 4.4.2.1 EN13501 – 1 EUROCLASSE A1.
Flexion Resistance:	Maximum span mm 1200 – Class 1.
Durability Of Galvanised Items:	B Class.
Durability Of Post-Painted Items:	C Class.

GT Ultimate Grid Data Sheet

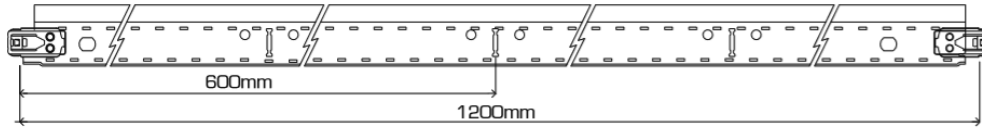
Main Tee 3700



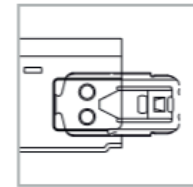
Main Tee Tab



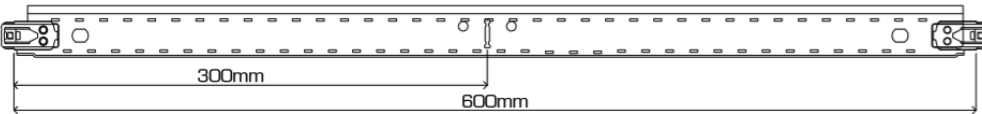
Cross Tee 1200



Cross Tee Tab

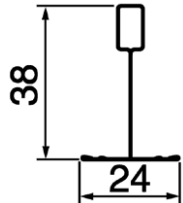
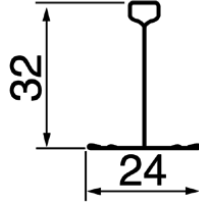
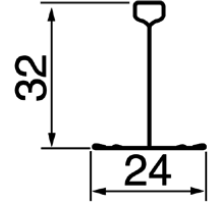


Cross Tee 600



Dimensions

Item	Code	Length (mm)	Dimension (mm)	Pieces Per Box	LM Per Box
Main Tee	GT3813	3700	24 x 38	24	88.8
Cross Tee	GT4816	1200	24 x 32	50	60
Cross Tee	GT4811	600	24 x 32	50	30
Wall Angle	GT8816	3600	40 x 20	25	90

Section			
Type	Main Tee 3700mm	Cross Tee 1200mm	Cross Tee 600mm

GT Ultimate Grid Data Sheet

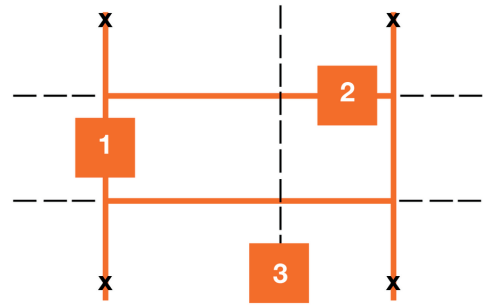
Bearing Capacity

Maximum load = 12 Kg / m² | Maximum deflection – L / 360

For different inflections see the following table:

Maximum Deflection	L/300	L/360	L/400	L/500
Multiplier	1.2	1	0.9	0.72

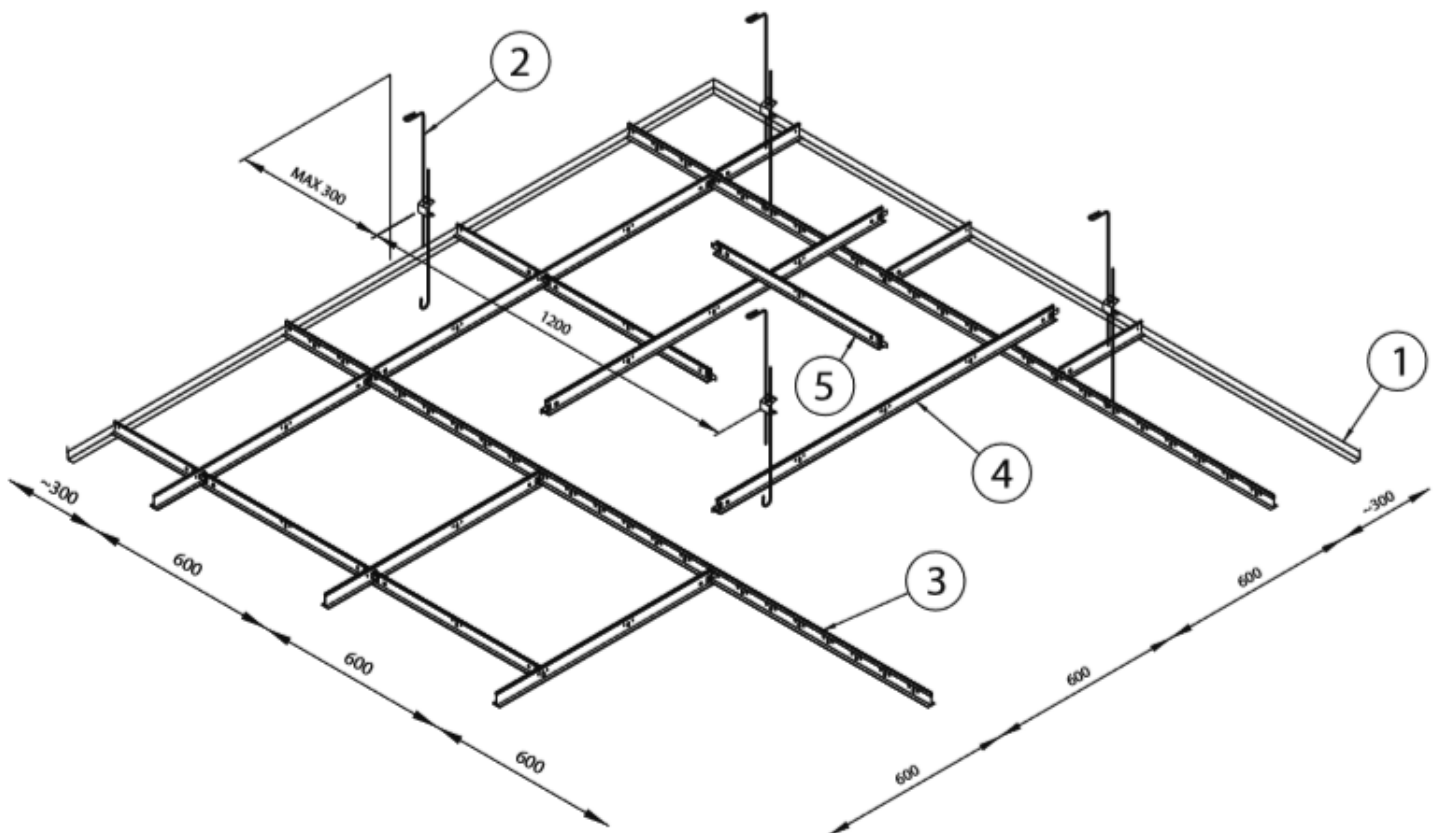
(Based on 1200 spring hanger spacings on Main Tee)



- [1] 3700 Main Tee profile
- [2] 1200 Cross Tee C
- [3] 600 Cross Tee

Installation

1. Set out ceiling levels with a level or a stringline. Install wall angle to perimeter of ceiling.
2. Fix all hangers and dropper rods accurately to the layout of the ceiling.
3. Install Main Tee in desired layout, taking care to adjust heights to ensure correct levels are maintained
4. Insert the tabs of 1200mm Cross Tee into the Main Tee punchings
5. If creating a 600 x 600mm module, insert the tabs of 600mm Cross Tee into the 1200mm Cross Tee punching



GT Ultimate Grid Data Sheet

Storage

- In order to guarantee the realization of a perfect false ceiling, materials supplied by Trumark must be maintained in good condition from the time of purchase to installation.
 - Items must be stored in a closed, clean and dry site.
 - Trumark protects its products with strong packaging to facilitate normal handling.
 - Please handle packages with care to avoid damage.
-

Cleaning, Maintenance & Removal

Cleaning and maintenance requires care and attention so as not to damage the system.

Use neutral soap or detergent only. Damaged profiles can be replaced.

False ceiling maintenance normally refers to: placing, aligning or replacing damaged or broken profiles.

Profiles can be removed for restoration or maintenance of the system.

Maintenance work should be carried out by a suitably qualified individual only, who has read and understands the data sheets.

- Remove ceiling tiles by simply pushing them upwards from the Tee grids and turning them to one side for easy removal.
- Perform the maintenance works, taking care not to alter the false ceiling structure, the hanging system and the connection between these elements.
- Please note that using inadequate tools can damage the structure.
- When maintenance has been completed, install the panels again. Make sure the tiles are properly bedded on the Tee profile to ensure they are level.